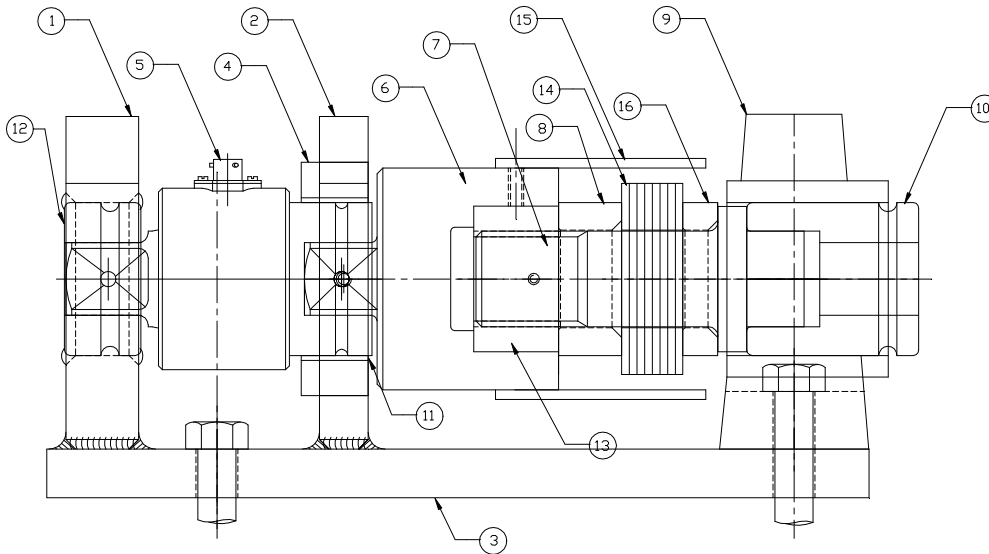


### **Model RD 5000 – Rundown Fixture**



### **Instructions for Setting Up Rundown Fixture**

1. Remove transducer retainer ring (Item 4) and insert transducer (Item 5) into 1½" square hole on back plate (Item 1).
2. Replace transducer retainer ring (Item 4) to fully support transducer and tighten grub screws.
3. Insert square drive adaptor (Item 6) into transducer (Item 5)
4. Slide washer stack sleeve (Item 15) over adaptor (Item 6) with the grub screws on the side of the transducer.
5. Fit small spacer washer (Item 16), belleville washers (Item 14) and large spacer washer (Item 8) to rundown bolt (Item 7) making sure that all threads are coated with molybdenum disulphide grease and that all contacting surfaces of washers have been lubricated.
6. Screw rundown bolt (Item 7) into nut (Item 13) and insert nut into square drive adaptor (Item 6).
7. Place socket (Item 10) onto rundown bolt (Item 7)
8. Slide support bearing block (Item 9) over socket (Item 10) as shown in the drawing above.
9. Secure Base Plate (Item 3) to a solid steel bench top (12mm min. thickness) using 4 off M20 bolts (not supplied). Ensure that there is at least 150mm of free bench space in front of the bearing block for the purpose of reacting.
10. Following assembly of all components slide the washer stack sleeve (Item 15) over the belleville washer stack and secure onto square drive adaptor (Item 6) using the grub screws.
11. Connect the transducer (Item 5) to display unit.
12. Unit is now ready for use.

## **Maintenance of Rundown Fixture**

- 1. Ensure that washers and run down bolt thread are regularly inspected and lubricated with molybdenum disulphide grease.**
2. Check that all the bolts of the unit are always tight.

Due to the test Bolt/Nut combination in the larger capacity Norbar Rundown Assemblies (500 Nm and above) being subjected to high thread loads it is essential that the lubrication is well maintained.

Under normal use this should be checked and attended to at a minimum one month interval.

Under severe, high volume use it is recommended that this is monitored much more regularly. Severe use can be concluded to be where the device is used continually at its full capacity over a short period or continual utilisation on a daily basis. After this has been monitored over a period with your specific workshop processes a regular service interval should be able to be determined which suits your particular requirements.

The test Bolt & Nut should be liberally coated with molybdenum disulphide grease while the Belleville washers should have their contact surfaces lightly coated with the same lubricant.

Care should also be taken not to wind the Bolt out of the Nut during testing to avoid cross threading in re-engagement.

Careful attention should also be placed on ensuring that the rundown bolt and transducer are not loaded past their rated capacity under any circumstances. This can cause not only bolt failure but also severe damage to the transducer.

Norbar will not cover damage to the test Bolt/Nut under warranty which is due to lack of lubrication or overloading. Please do not hesitate to contact your nearest Norbar office with any queries regarding the operation and maintenance of this heavy duty test device.

Norbar Torque Tools Pty Ltd  
45-47 Raglan Avenue  
Edwardstown, SA 5039  
Australia.

Ph: +61 8 8292 9777  
Fax: +61 8 8292 9799  
Website: [www.norbar.com](http://www.norbar.com)

## **WARRANTY**

All Norbar products are guaranteed against faulty workmanship and materials for a period of 12 months from date of purchase.

Norbar will repair products that fail to give satisfactory service due to defective workmanship or materials. We cannot accept responsibility for defects or failures caused by improper usage of the tools under conditions for which they were not intended, including overloading, lack of maintenance and neglecting to follow the instructions outlined in the Operating Instructions.

Norbar cannot be held responsible or liable in any circumstances for any direct, indirect or consequential loss or damage, which the purchaser or others may incur.

When making a claim, proof of purchase must accompany goods.