

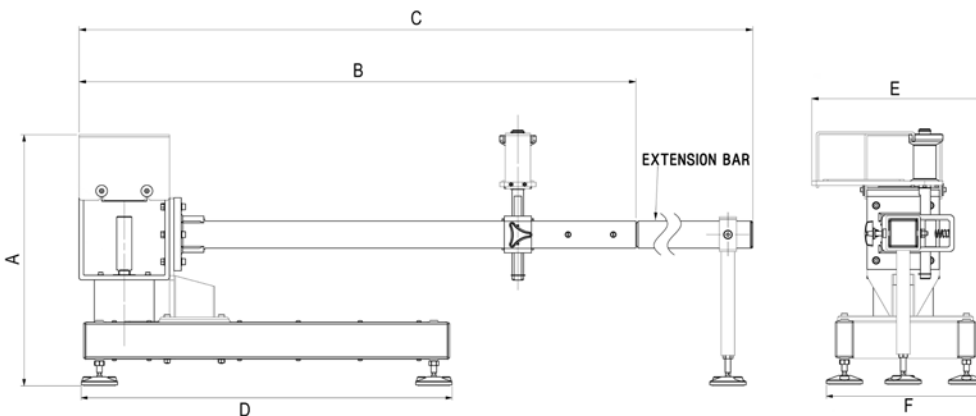
# NORBAR TORQUE TOOLS

## ISO 3000 MOTORISED TORQUE WRENCH LOADER



### ISO 3000 MOTORISED TORQUE WRENCH LOADER

- Assists calibration in accordance with BS EN ISO 6789:2003.
- Reduces operator induced variations in the calibration process, taking full advantage of the accuracy of Norbar's torque measurement systems.
- Ergonomically designed speed control paddle for accurate applied torque control.
- Safety transducer overload feature when used with compatible Norbar measurement system.
- Automatic motor stop without operator presence. Emergency stop override.



PART NUMBER	MAXIMUM TORQUE OUTPUT	WEIGHT (kg)		DIMENSIONS (mm)					
		REMOTE PADDLE CONTROLLER	TORQUE WRENCH LOADER	A	B	C	D	E	F
20506	3000 N·m (2200 lbf·ft)	0.25	40	554	1232	2440	820	382	350

